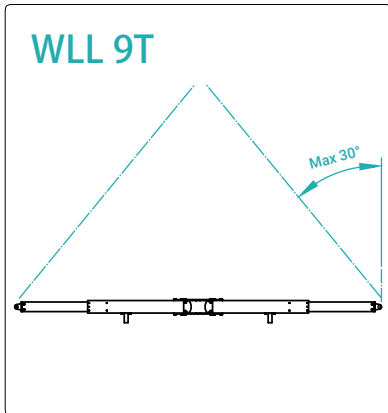


# aluxSTR9+



**Max Load:** 9 ton  
**Material:** Aluminium/Steel  
**Net Weight:** 72 kg

For larger lifting angles the maximum load needs to be limited as follows:

45° = 5 tn max.

\*Measured from end of lifting lug to end of lifting lug

