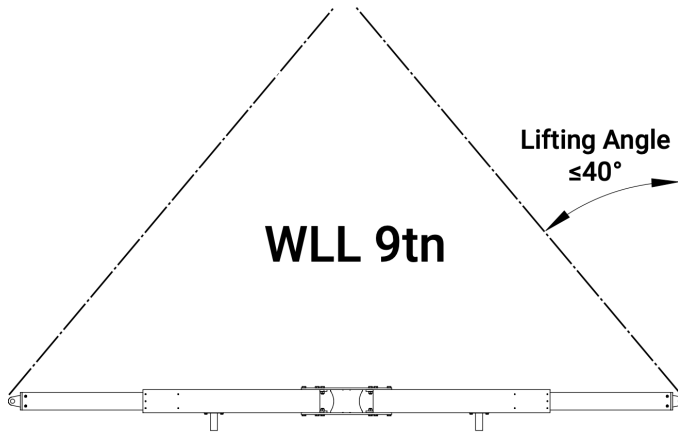


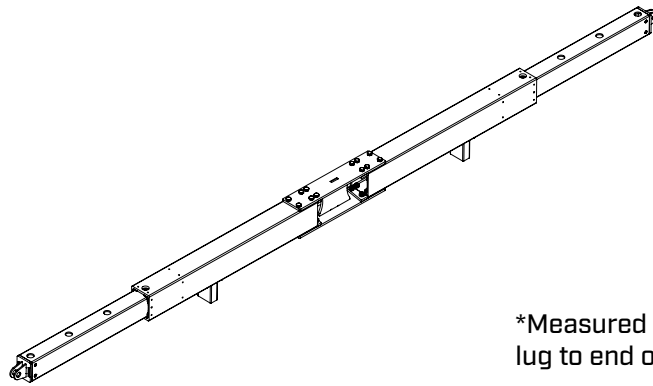
# aluxSTR9

**Max Load:** 9 ton  
**Material:** Aluminium/Steel  
**Net Weight:** 45 kg



For larger lifting angles the maximum load needs to be limited as follows:

45° = 7.8 tons max.  
50° = 6.8 tons max.  
60° = 4.7 tons max.



\*Measured from end of lifting lug to end of lifting lug

