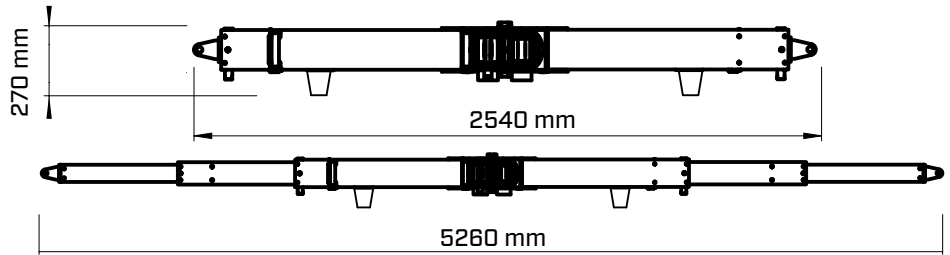
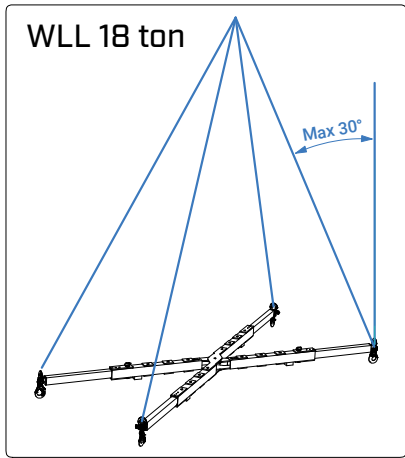


# ALUEX<sup>18+</sup>



Max load: 18 ton  
Material: Aluminium/Steel  
Weight: 138kg

30° = 18tn max.    46° = 10.0tn max.  
36° = 14.3tn max.    50° = 8.7tn max.  
40° = 12.4tn max.    60° = 6.0tn max.

Max load Aluex 18+ WLL 18t

