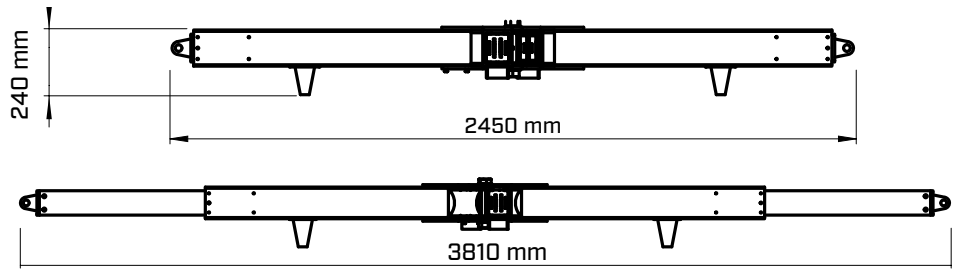
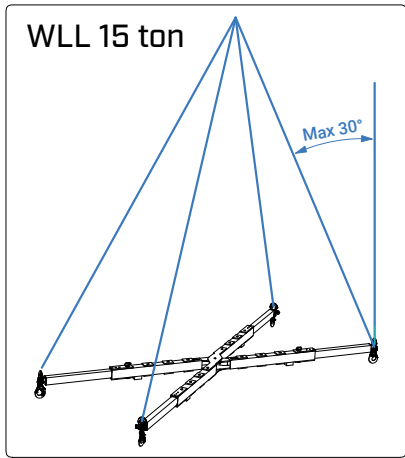


ALUEX¹⁵



Max load: 15 ton
Material: Aluminium
Weight: 95kg

30° = 15tn max.

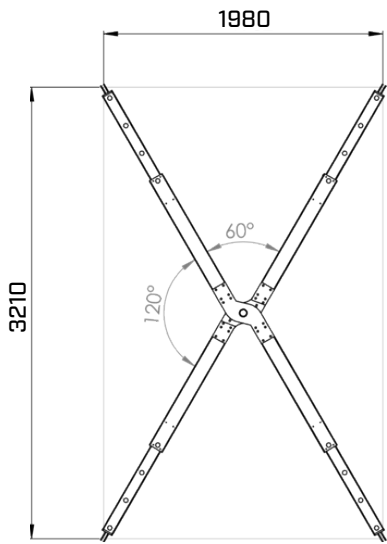
35° = 12.4tn max.

40° = 10.3tn max.

45° = 8.7tn max.

50° = 7.3tn max.

60° = 5.0tn max.



Max load AlueX 15 WLL 15t

