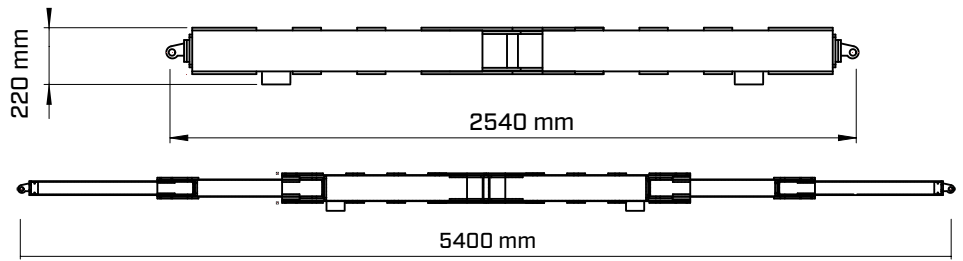
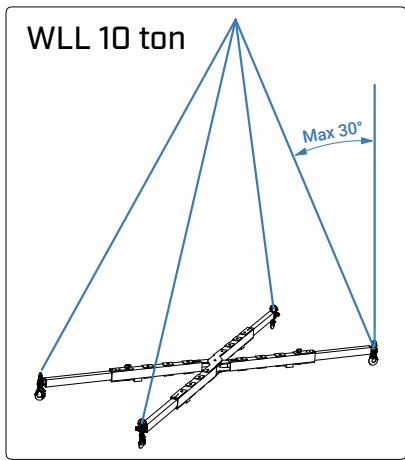


ALUEX¹⁰⁺



Max load: 10 ton
Material: Aluminium
Weight: 75kg

30° = 10tn max.
35° = 8.2tn max.
40° = 6.9tn max.

45° = 5.8tn max.
50° = 4.8tn max.
60° = 3.3tn max.

Max load Aluex 10+ WLL 10t

